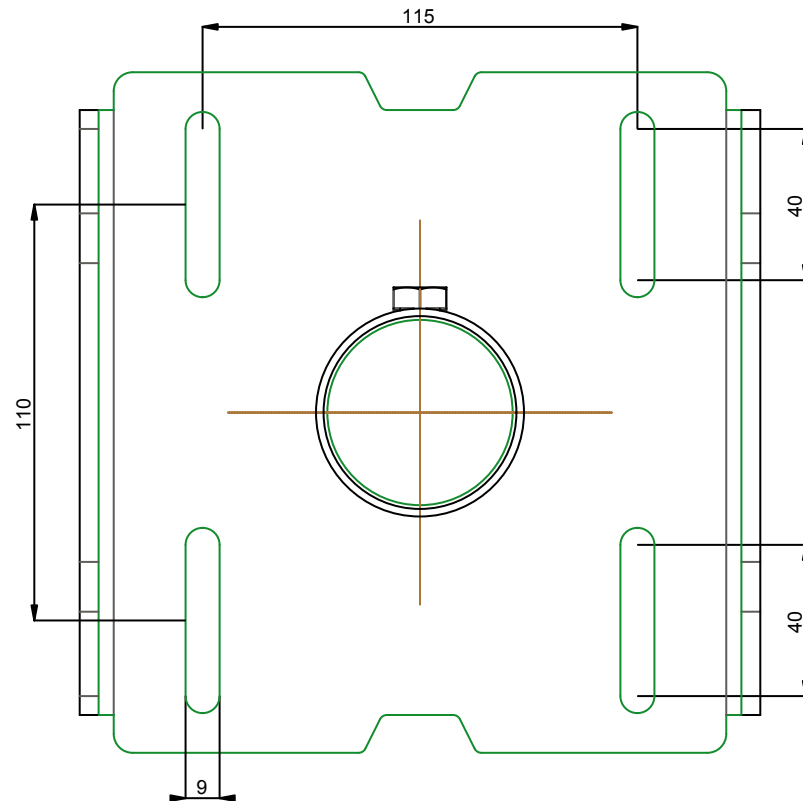


Maximum load	30 KG
Package weight	8,35 KG

product: ANGLED TUBE SYSTEM WITH CONTINUOUS LENGTH ADJUSTMENT	product code: 002-1570		SmartMetals® by Sky-Lite Holland BV Handelsweg 4 4231 EZ Meerkerk www.smartmetals.eu	
	units: mm	sheet: 1 / 2		



product: ANGLED TUBE SYSTEM WITH CONTINUOUS LENGTH ADJUSTMENT

product code: 002-1570

units: mm

sheet: 2 / 2

SmartMetals® by
Sky-Lite Holland BV
Handelsweg 4
4231 EZ Meerkerk
www.SmartMetals.eu

smart **metals** **Sky-Lite**
MOUNTING SOLUTIONS