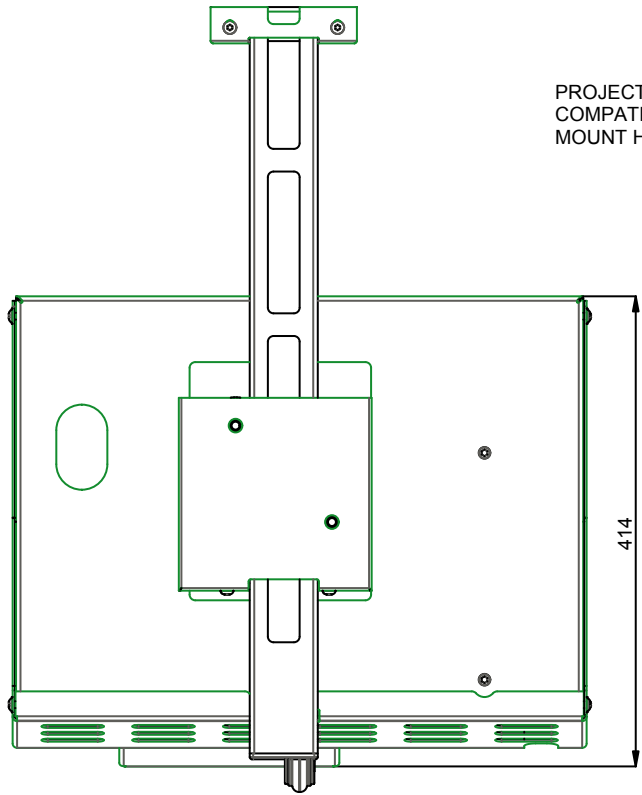
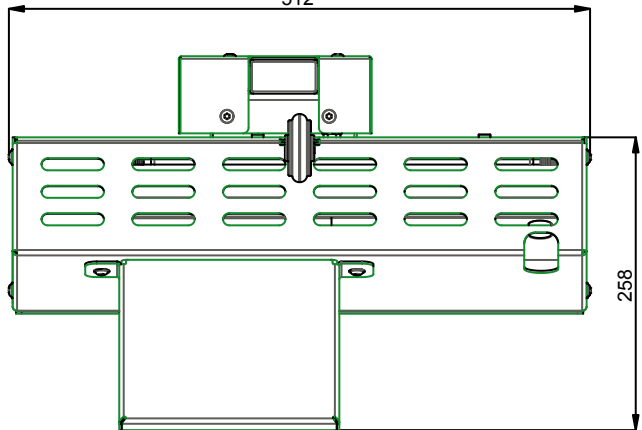


PROJECTOR HOUSING ONLY
 COMPATIBLE WITH SMARTMETALS
 MOUNT HITACHI A100 SERIES (002.1800)

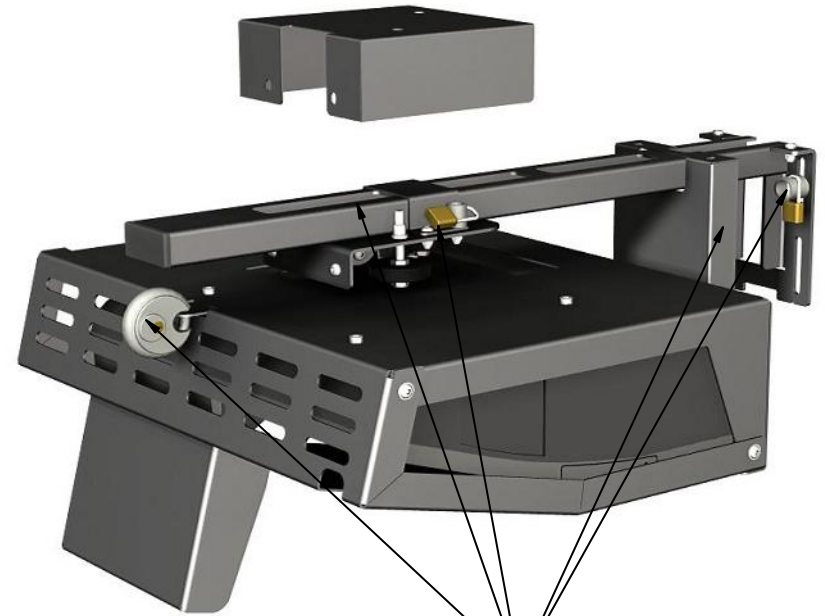


512



414

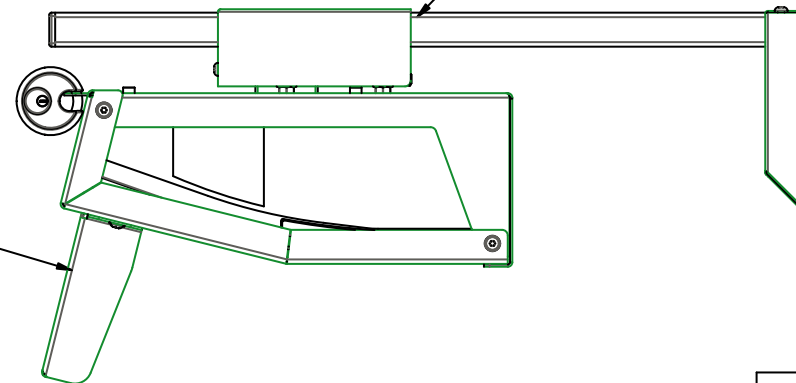
258



THE HITACHI A100 HOUSING AND MOUNT, CAN
 BE LOCKED WITH THE SUPPLIED LOCK-SET

SmartMetals Hitachi mount (002.1800)

Mirror protection
 (removable)



Package weight 8.7 KG

product: PROJECTOR HOUSING o.b.o. HITACHI A100 SERIES

product code: 002.1820

units: mm

sheet: 1 /1

SmartMetals® by
 Sky-Lite Holland BV
 Handelsweg 4
 4231 EZ Meerkerk
 www.SmartMetals.eu

