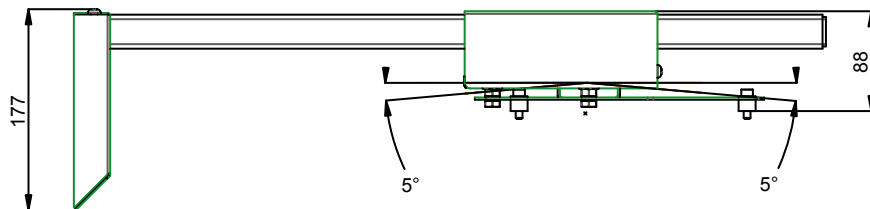
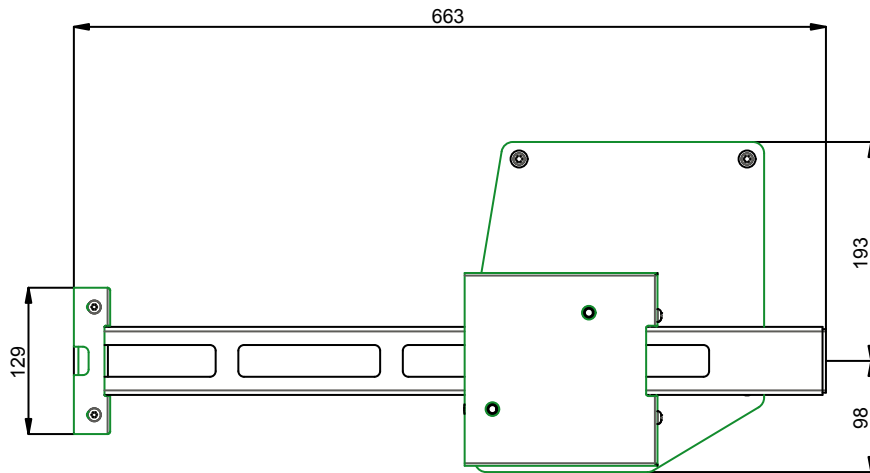
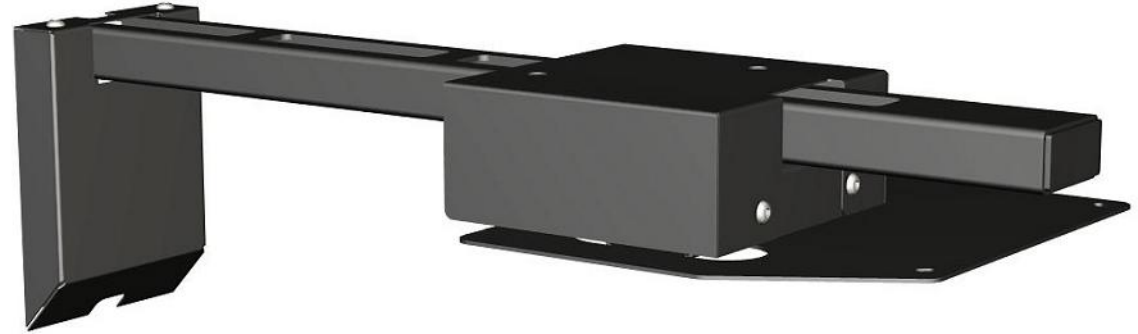
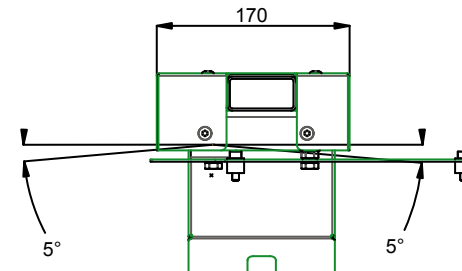


IT IS RECOMMENDED TO ADJUST THE SCREEN SIZE FROM 60 INCH TO 100 INCH DIAGONAL. THE SCREEN IMAGE ADJUSTED OUT OF THIS RANGE, EITHER SMALLER OR LARGER, MAY BE DETERIORATED.

source: Hitachi user manual



Wall mount adjustable for screen sizes from 60 up to 100 inch diagonal 4:3 and 16:9 aspect ratio.



Maximum load	30 KG
Package weight	6,5 KG

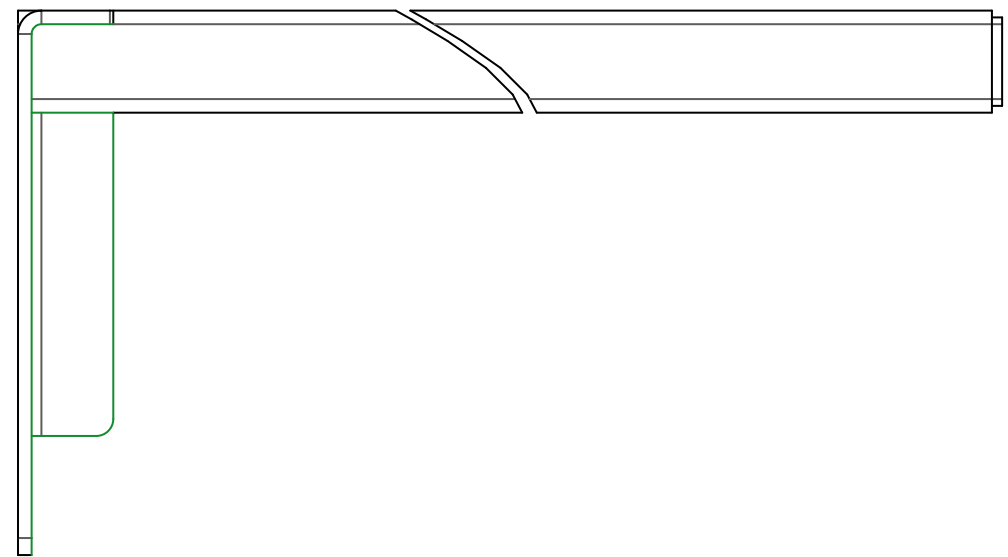
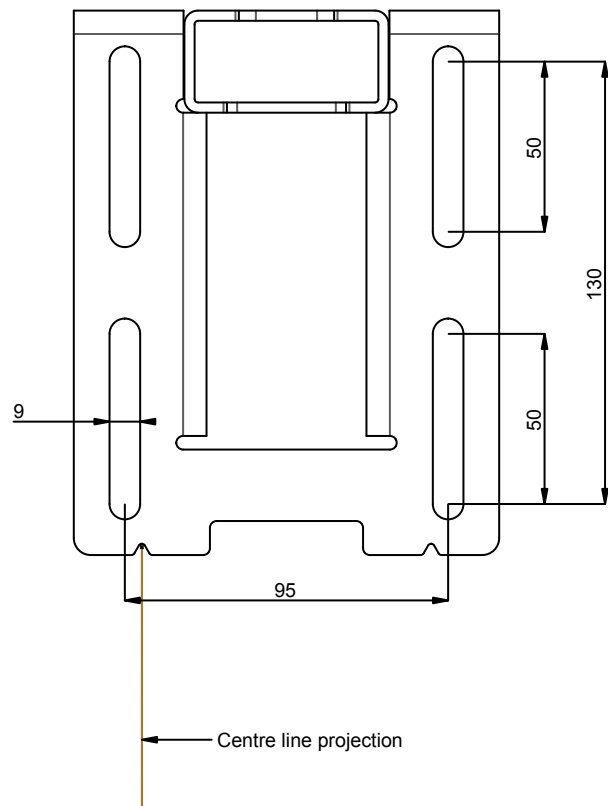
product: WALL MOUNT HITACHI A100 SERIES

product code: 002-1800

units: mm sheet: 1 /2

SmartMetals® by
Sky-Lite Holland BV
Handelsweg 4
4231 EZ Meerkerk
www.smartmetals.eu





product: WALL MOUNT HITACHI A100 SERIES

product code: 002-1800

units: mm sheet: 2 / 2

SmartMetals® by
Sky-Lite Holland BV
Handelsweg 4
4231 EZ Meerkerk
www.smartmetals.eu

