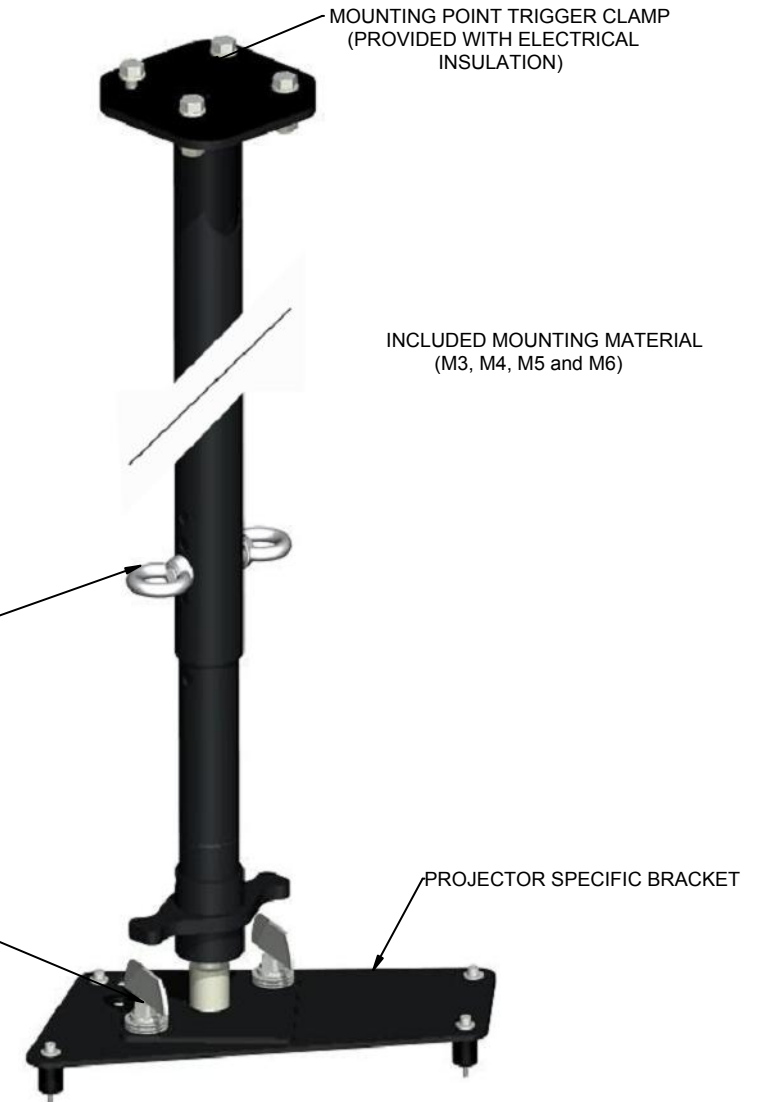


1.263mm to 1.713mm

LIFTING EYES IN ORDER  
TO ATTACH THE SAFETY  
PROVISIONS

CONNECTING BY MEANS OF  
QUARTER TURNING CLOSING



MOUNTING POINT TRIGGER CLAMP  
(PROVIDED WITH ELECTRICAL  
INSULATION)

INCLUDED MOUNTING MATERIAL  
(M3, M4, M5 and M6)

PROJECTOR SPECIFIC BRACKET

Maximum load	30 KG
Package weight	5,95 KG

product: RENTAL TUBE SYSTEM - SYSTEM 5 (exc. bracket)

product code: 002-1663

units: mm

sheet: 1 /1

SmartMetals® by  
Sky-Lite Holland BV  
Handelsweg 4  
4231 EZ Meerkerk  
www.SmartMetals.eu

