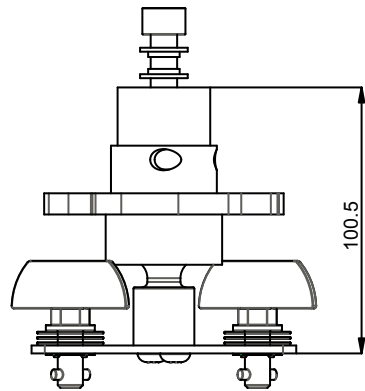


MOUNTING POINT TRIGGER CLAMP

CONNECTING BY MEANS OF
QUARTER TURNING CLOSING

PROJECTOR SPECIFIC BRACKET



INCLUDED MOUNTING MATERIAL
(M3, M4, M5 and M6)

Maximum load	30 KG
Package weight	1,2 KG

product: RENTAL TUBE SYSTEM - SYSTEM 1 (exc. bracket)

product code: 002-1641

units: mm sheet: 1 /1

SmartMetals® by
Sky-Lite Holland BV
Handelsweg 4
4231 EZ Meerkerk
www.smartmetals.eu

