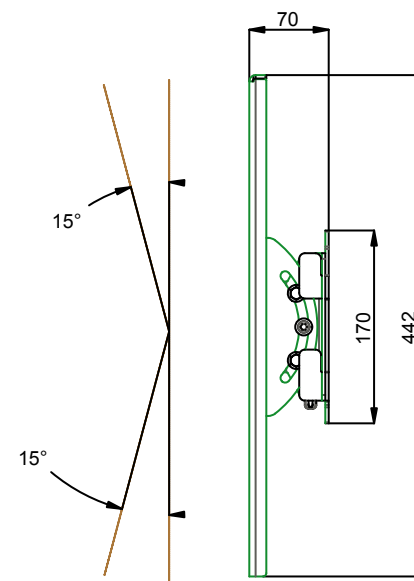
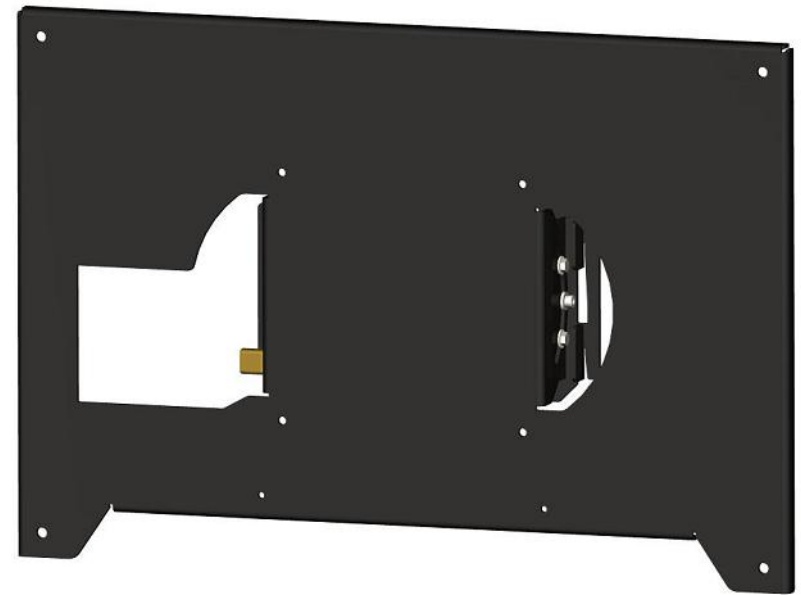
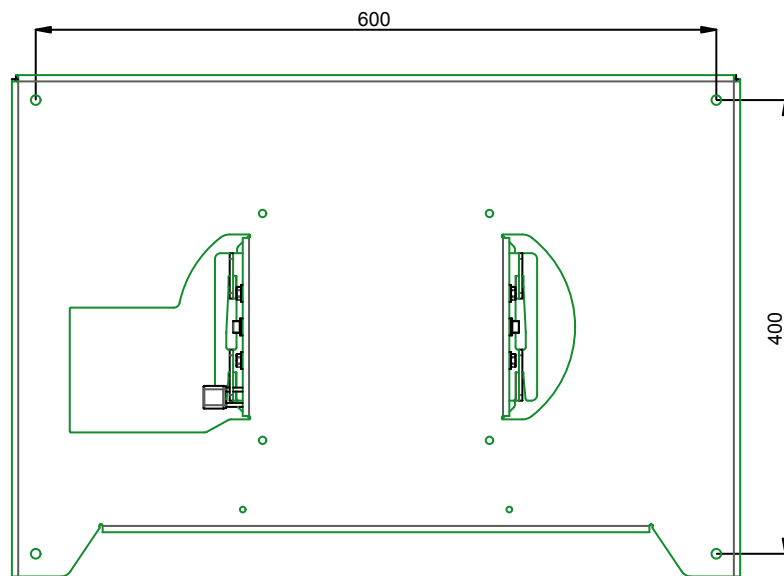
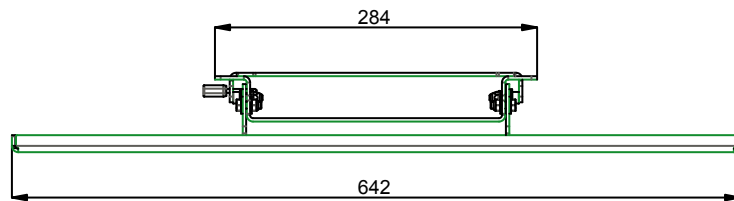


MOUNT SIZE:  
 VESA 200-200 M6  
 VESA 600-400 M8



Maximum load	50 KG
Package weight	8,75 KG

product: VESA SCREEN BRACKET, TILTABLE VESA 600-400 FOR SAMSUNG 400/460MX	product code: 052-8070		SmartMetals® by Sky-Lite Holland BV Handelsweg 4 4231 EZ Meerkerk www.smartmetals.eu
	units: mm	sheet: 1 /2	



- A Mounting holes wall (M8)
- B Mounting holes flatscreen stand (M8)
- C Mounting holes ceiling tube system (M8)
- D Mounting holes truss system (M10)

