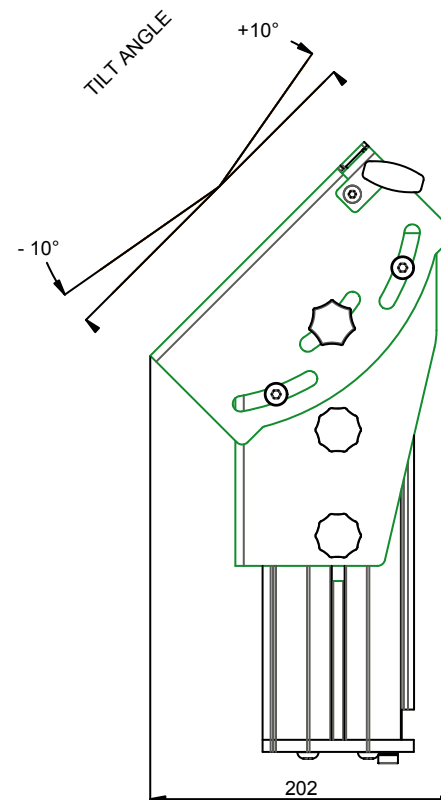
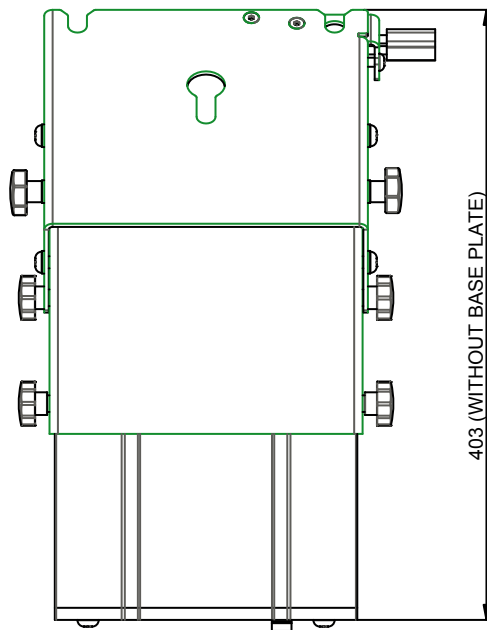
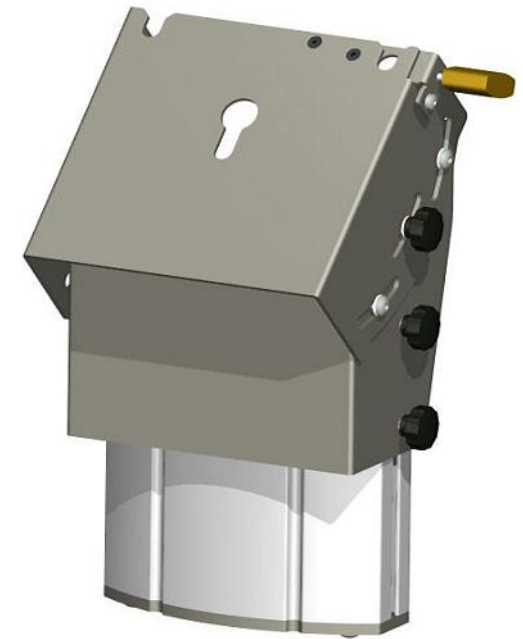


TO BE COMBINED WITH EACH SEPERATE
 SMARTMETALS (WHEELED) BASE PLATE
 AND RENTAL SCREEN BRACKETS WITH
 COUPLING BOXES



Maximum load	80 KG
Package weight	10 KG

product: MONITOR/PLATFORM STAND

product code: 063-0500

units: mm sheet: 1 /1

SmartMetals® by
 Sky-Lite Holland BV
 Handelsweg 4
 4231 EZ Meerkerk
 www.smartmetals.eu

