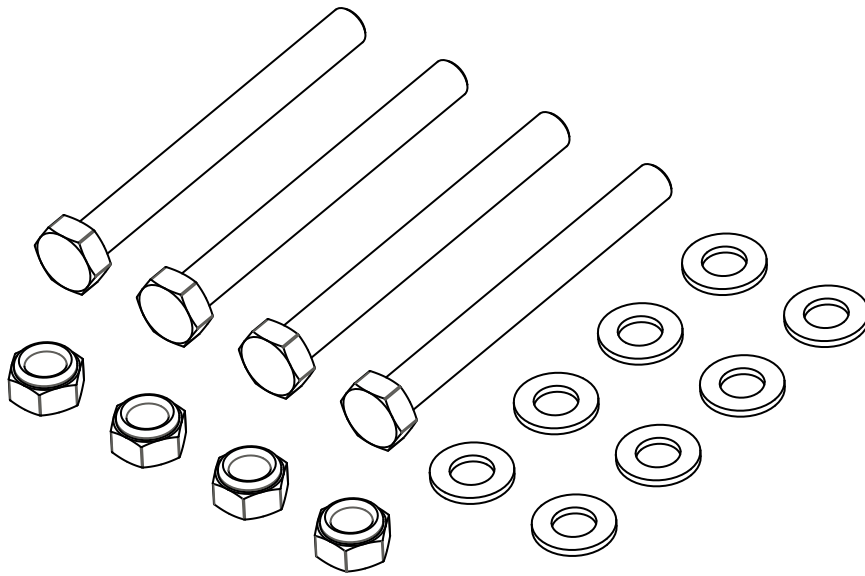


With this mounting set it is possible to mount two SmartMetals VESA or Universal screen brackets "back-to-back" to the ceiling tube system



Maximum load	NA
Package weight	0,3 KG

product: MOUNTING SET BACK-TO-BACK

product code: 072-1111

units: mm    sheet: 1 /1

SmartMetals® by  
Sky-Lite Holland BV  
Handelsweg 4  
4231 EZ Meerkerk  
www.smartmetals.eu

